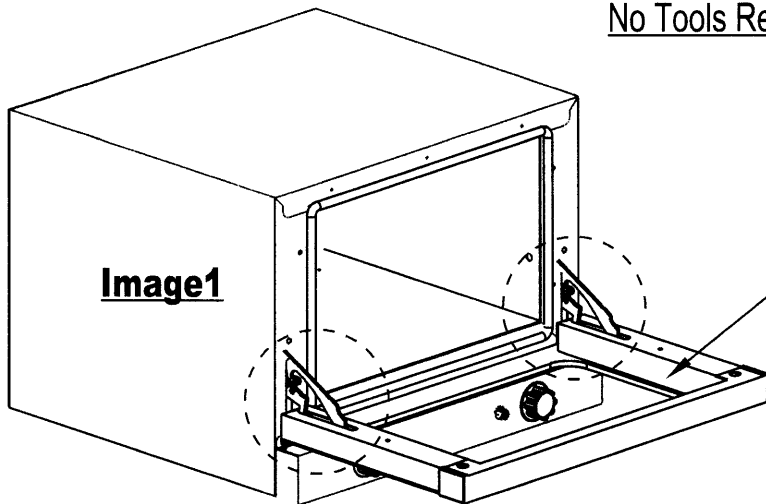


# MODEL 620 Oven Door Removal Instructions

No Tools Required

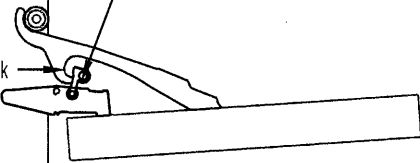


1. Unplug Unit
2. Open Door  
**(Image 1)**

3. Push HINGE LOCKS in "up / locked" position  
**(Image 2)**

**Image 2**  
(side view)

Bottom Hook



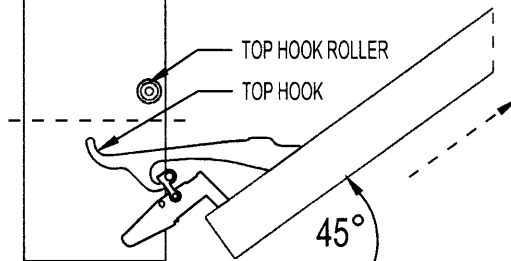
4. Tilt door up at about 45° angle until the TOP HOOK on HINGE ARM is lower than the TOP HOOK ROLLER.  
**(Image 3)**

**Image 3**  
(side view)

5. Pull door out of HINGE SLOTS

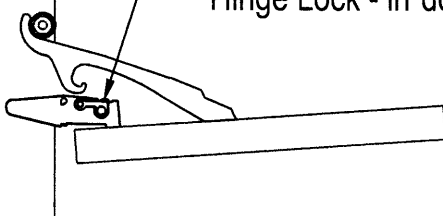
TOP HOOK ROLLER  
TOP HOOK

45°



**Image 4**  
(side view)

Hinge Lock - in "down/unlocked" position



## TO REPLACE DOOR :

Reverse steps listed above

In order to put HINGE LOCKS in "down lock" position, slight downward pressure on door may need to be applied to release HINGE LOCKS. (Image 4)